

STW36-A Keypad Prepaid Water Meter

- IP68

Ingress protection IP68 waterproof
- 

Up to 8 years battery life
- 

Automatic valve controlling
- STS

STS Standard
- 

Real-time clock
- Step
Tariff

Utilities can set step price into meter on request
- 

Anti-Tamper
Magnetic field protection
- 

LORA-RF communication (CIU)
- 

Pay by mobile payment
M-PESA, Alipay, MTN, Airtel, etc.



STW36-A is an STS Standard compliant, keypad type, automatically valve controlled Multi-jet prepaid water meter. It can be top up by Power Guard Vending software with 20 digital Token and communicate with AMI system via LORA-RF module.

Compliance with Standard

- * ISO 9001 ; ISO 14001
- * STS Certificated

Application:

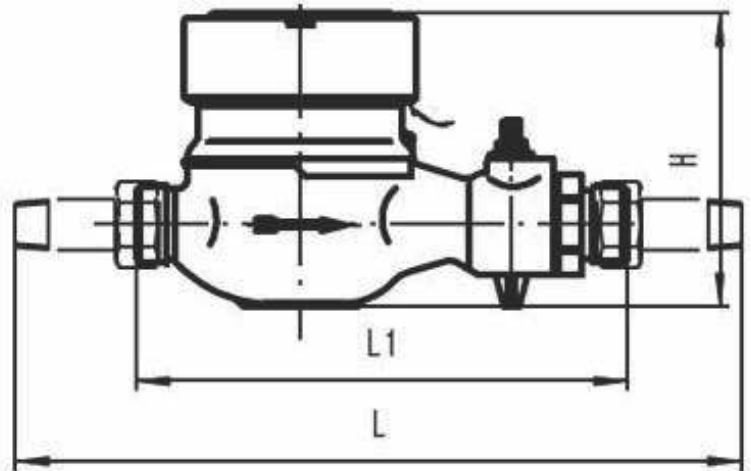
Measuring the volume of cold water through water pipe.

Metrological Parameters of different size

Size	DN15 1/2"	DN20 3/4"	DN25 1"
Overload flow rate Q4	3.13	5	7.87
Permanent flow rate Q3	2.5	4	6.3
Transitional flow rate Q2	0.04	0.064	0.1
Minimum flow rate Q1	0.025	0.04	0.063
Ratio "R" Q3/Q1	100	100	100

Features

- * Maximum working pressure: 16 Bar
- * Maximum pressure loss: 0.6 Bar
- * Maximum reading: 99999
- * Working temperature: <50°C
- * Error: $Q1 \leq Q \leq Q2$ 5%;
 $Q2 \leq Q < Q4$ 2%



Meter Dimension

Size	DN15 1/2"	DN20 3/4"	DN25 1"
Length(L)	165/190	190	225/260
Width(W)	99	99	103
Height(H)	104	106	114
Connecting Thread	G3/4B	G1B	G1-1/4B

Functions

The integrated keypad of water meter is offered to enter recharge TOKEN and check information by short codes.

Stronpay vending software could be integrated to local Mobile Money Payment Platform like M-PESA, Alipay, MTN, Airtel, etc.

Basic Functions

- * Meter Recharge: By inputting 20 digits Token.
- * Low Credit Alarm: Alarm value can be set by inputting corresponding TOKEN.
- * Non-return valve: Non-return valve inside for preventing back-flow.

Communication:

The meter is available with AMI system through LORA-RF or Bluetooth 4.0 on request.

Anti-Tamper Functions:

Meter will automatically close the valve after detection of magnetic field and open cover event. Working normally after inputting clear tamper Token.

Step Tariff:

Meters can be set Step Tariff by inputting corresponding TOKEN. Utilities can set 3 step prices on request.

Overdraft Collection :

Non- Revenue water (Overdraft) can be collected day by day or month by month.

Information Inquiry:

Consumer could check the data like Credit Remain, Total Purchased and Total Credit by inputting the short code.

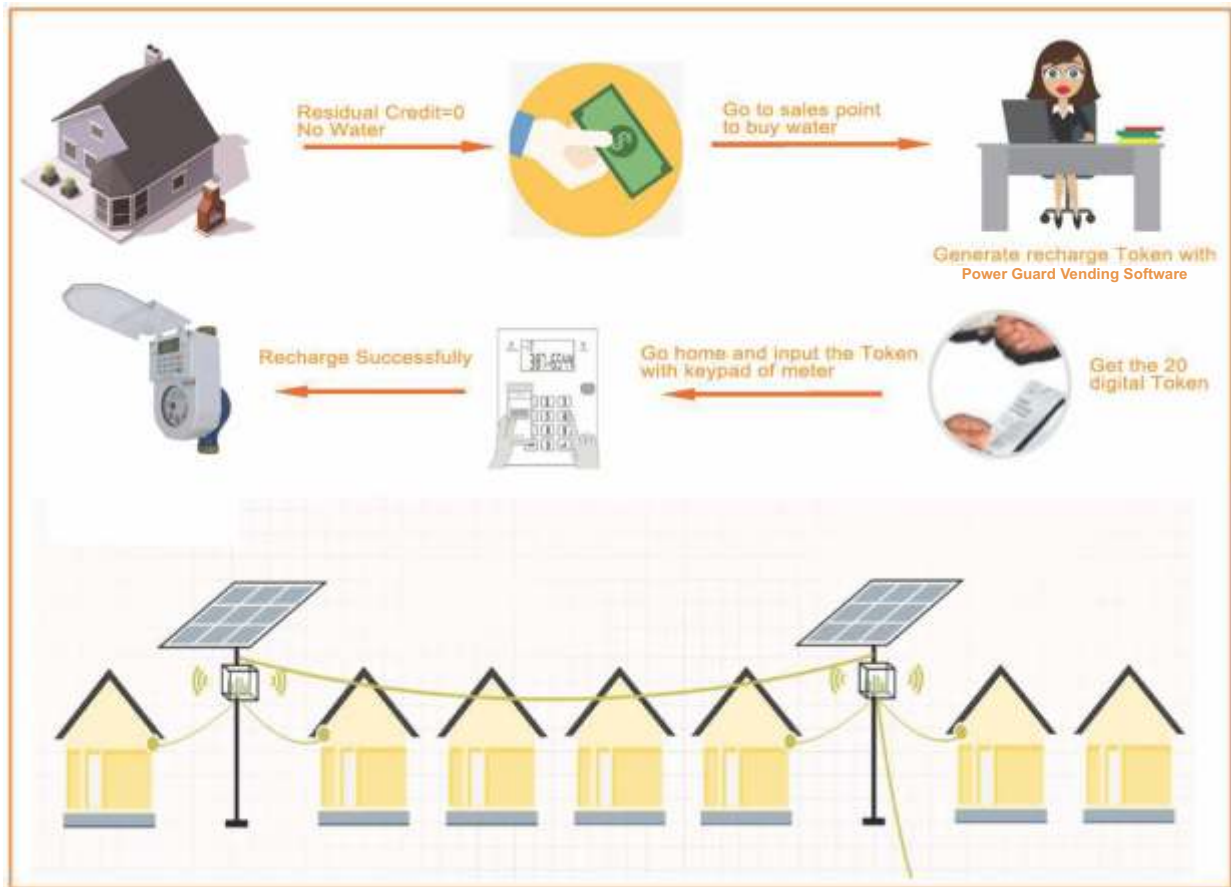
Liquid Crystal Display:



Three solutions to recharge prepaid water meter

1. By Stronpay vending Software

⇒ Via local sales point or handheld mobile vending unit



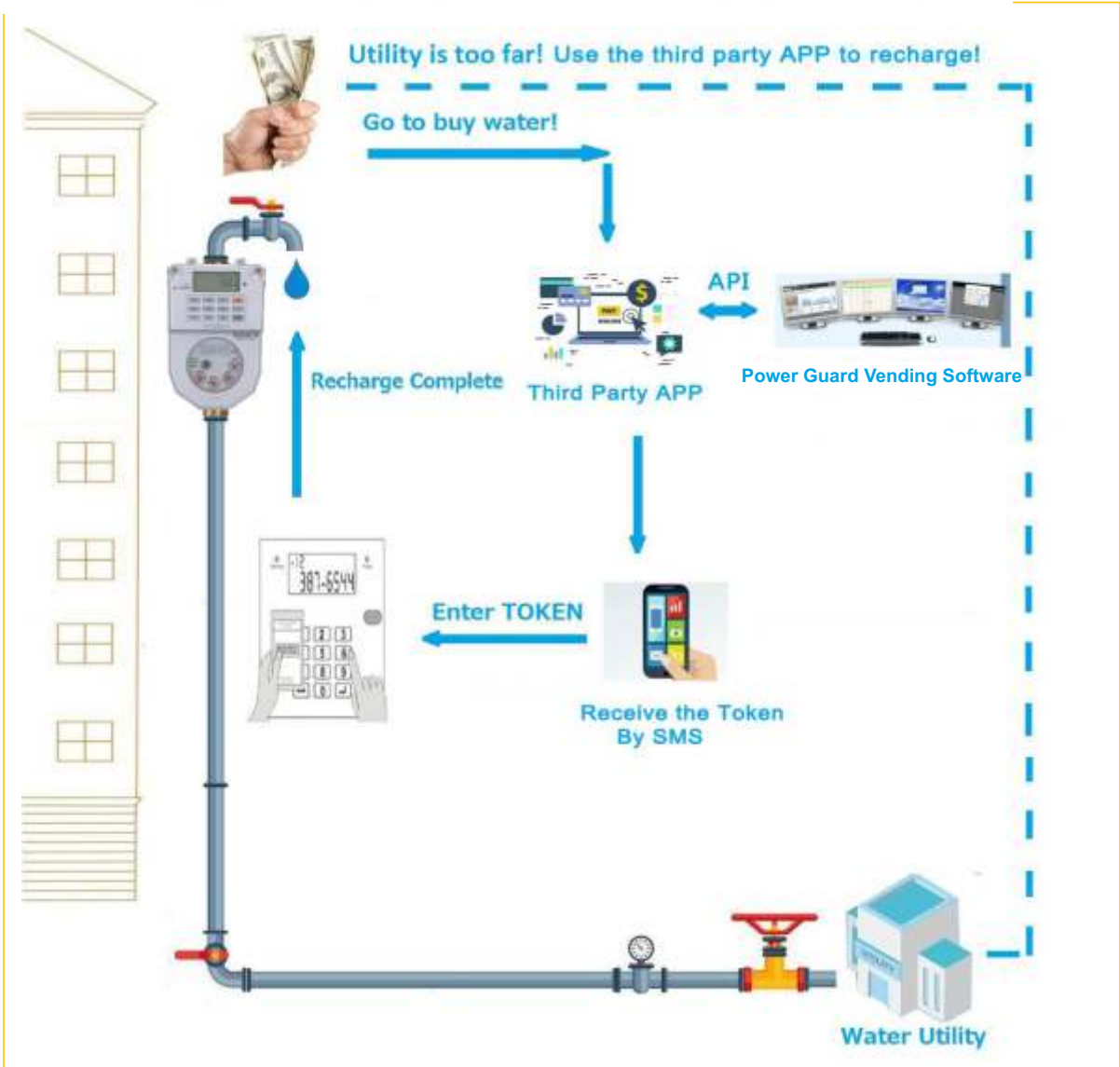
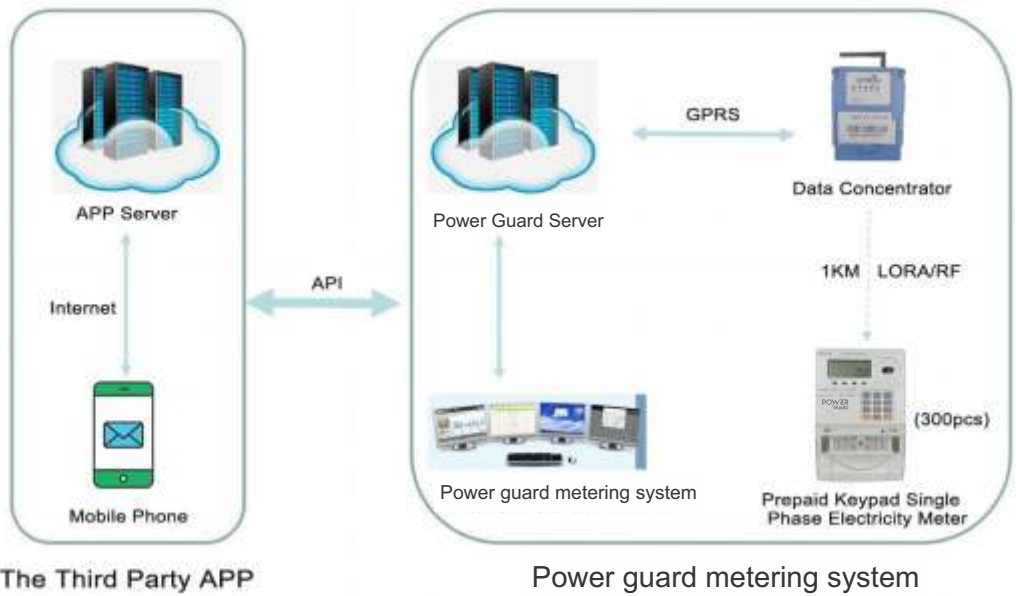
Operation of vending software

1. Login vending system
2. Meter number registration
3. Customer information registration
4. Price Setting
5. Open Account
6. Vending/Topping up meters
7. Get the Token
8. Input Token to meter with keypad
9. Recharging successfully

1. By the third party platform or local mobile payment with API

⇒ Via mobile phone

API: Application Program Interface, which is the agreement connecting the third party APP and our Power guard Vending software

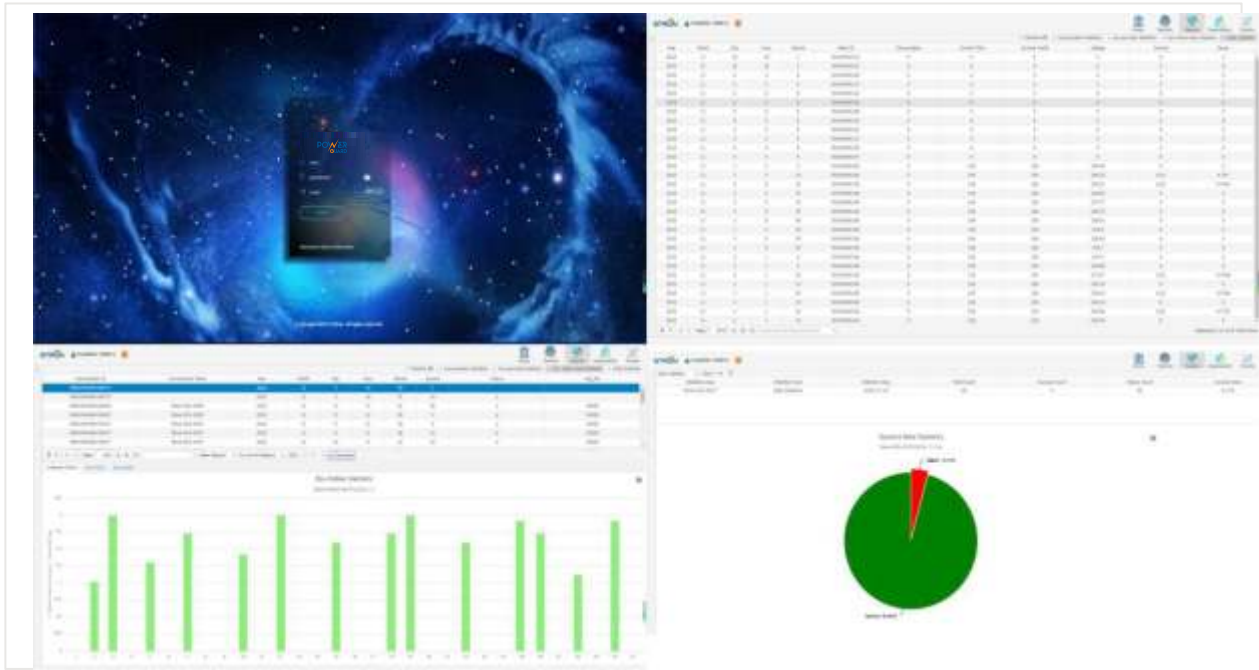


The advantages to recharge with mobile payment:

- * Users can top up water by mobile money without leaving the house.
- * Users could check information by their telephone.
- * It helps utilities for Revenue protection and consumer management.

2. By the AMI System

⇒ Recharge remotely via DCU and LORA-RF module



How to recharge by AMI System?

